



Applications :

- Industries • UPS / Inverter
- Washing Machine • Weighing Scale
- Automobile Industries • Automotive Industries
- Telecom Industries • Home Appliance
- Computer • Toys • Security Industries

Buzzer



ION ELECTRICALS PVT. LTD.

Business in Piezo Buzzers and Digital Time / Temperature Instruments



ION ELECTRICALS PVT. LTD.

आयन् इलेक्ट्रिकल्स प्रा. लि.



Business in Piezo Buzzers and Digital Time / Temperature Instruments.

PROFILE

Way back in 1984, ION started business in electronic piezo buzzers when the technology was at it's infancy in india. Ever since, ION has maintained the **Number 1 Position** in the Indian Buzzer market.

ION is also a name to reckon with the business of precise and accurate temperature sensors, indicators, Controllers, Timers, Tower Controller, Weekly Timer with 32 programes and custom designed instruments.

To effectively support the objectives of thrust on R & D and top quality products, ION has engaged a team of qualified engineers, skilled assemblers and also has a separate full time R & D department. ION has strict quality checks right from material procurement to the finished product.

ION,s business over the years has grown across the country. Due to excellent support by a dealer network which has stood the test of time. The integrity of promoters and the reliability of products have contributed to the strong bonds of understanding between the dealers and the company.

ION ELECTRICALS PVT. LTD. have the prestigious International Quality Standards ISO 9001:2008 Certification. This certificate has been awarded to ION for design, Manufacture and supply of electrical and electronic products. The joint accreditation system of Australia and New Zealand has conferred upon this accreditation in recognition of our fulfilling its stringent quality norms.

In Conclusion :-

**ION is well known for its
Quality,
Guarantee and
Strong Bond with its Customers.**



Buzzer

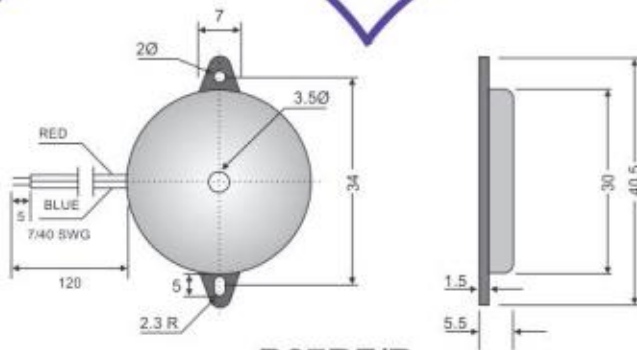
ION ELECTRICALS PVT. LTD.

Self / External Type Transducers

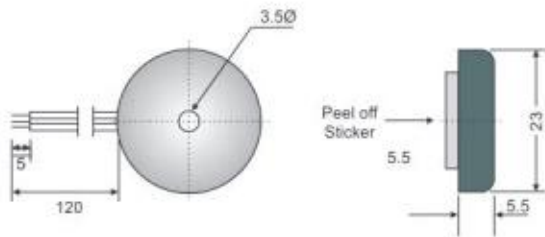
Model No.	Sound Level Minimum	Oscillation Frequency	Capacitance	Allowable Input	Weight gms	Type	Mounting	Wire / Lead Length	Height (mm)	Ø In (mm)	Pitch (mm)
B27RF	80 dB	4.0±500 Hz	25,000 pF ±30 %	30 Vpp Max	4.5	Self with feed back	Flange Type	120 mm min. 3 wire	5.5	30	34
B27R	80 dB	4.0±500 Hz	25,000 pF ±30 %	30 Vpp Max	4.5	External Drive	Flange Type	120 mm min. 2 wire	5.5	30	34
B20RF	80 dB	4.0±500 Hz	17,000 pF ±30 %	30 Vpp Max	3	Self with feed back	With Sticker	120 mm min. 3 wire	5.5	23	--
B20R	80 dB	4.0±500 Hz	17,000 pF ±30 %	30 Vpp Max	3	External Drive	Flange Type	120 mm min. 2 wire	5.5	23	27

Operating Temperature Range - 20°C to + 50°C
Storage Temperature Range - 30°C to + 60°C

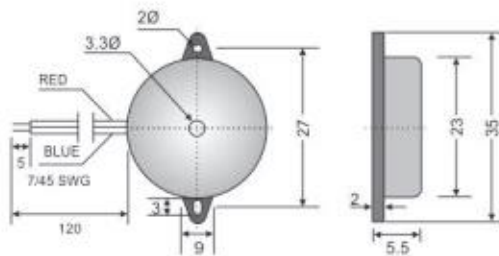
Electrical parameters measurements 12 VDC and at 30 cm. distance or unless and otherwise specified
Tolerance for dimension ±0.1 mm, pin height ±1.0 mm



B27RF/R

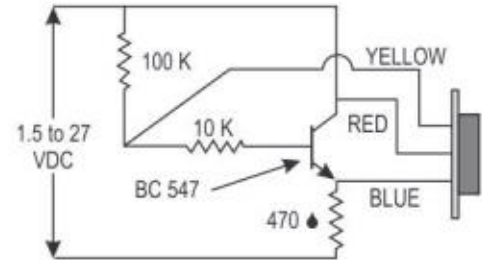


B20R



B20RF

Recommend Circuit for Self Drive Transducer B27RF / B20RF

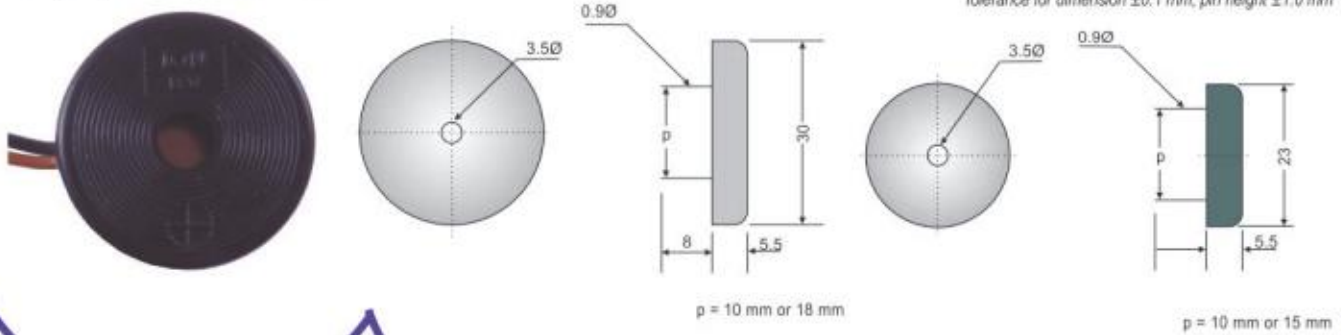


External Type Transducers

Model No.	Sound Level Minimum	Oscillation Frequency	Capacitance	Allowable Input	Weight gms	Type	Mounting	Wire / Lead Length	Height (mm)	Ø In (mm)	Pitch (mm)
B27R1	80 dB	4.0±500 Hz	25,000 pF ±30 %	30 Vpp Max	4	External Drive	PCB Type	8 m lead	5.5	30	10
B27R2	80 dB	4.0±500 Hz	25,000 pF ±30 %	30 Vpp Max	4.5	External Drive	PCB Type	8 m lead	5.5	30	17.5
B20R1	80 dB	4.0±500 Hz	17,000 pF ±30 %	30 Vpp Max	3	External Drive	PCB Type	8 m lead	5.5	23	10
B20R2	80 dB	4.0±500 Hz	17,000 pF ±30 %	30 Vpp Max	3	External Drive </td <td>PCB Type</td> <td>8 m lead</td> <td>5.5</td> <td>23</td> <td>15</td>	PCB Type	8 m lead	5.5	23	15

Operating Temperature Range - 20°C to + 50°C
Storage Temperature Range - 30°C to + 60°C

Electrical parameters measurements 12 VDC and at 30 cm. distance or unless and otherwise specified
Tolerance for dimension ±0.1 mm, pin height ±1.0 mm



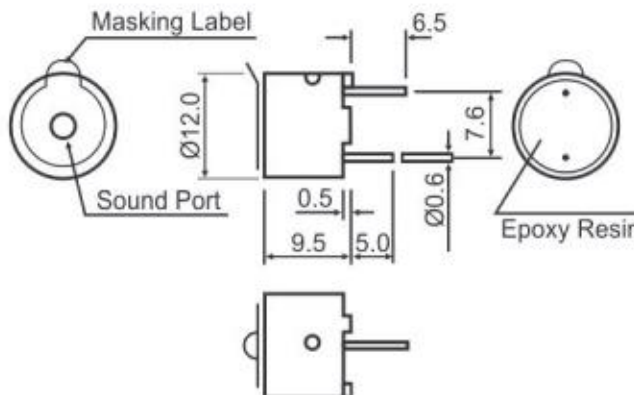
p = 10 mm or 18 mm

p = 10 mm or 15 mm



DC Electro Magnetic Buzzers

Type	01	03	05	09	12
Rated Voltage (V)	1.5	3	5	9	12
Operating Voltage (V)	1.25 ~ 2.5	2 ~ 4	4 ~ 7	7 ~ 10	10 ~ 14
Rated Current (mA)	max 20	max 25	max 30		
Sound Output at 10 cm (dB)	min 80	min 85			
Resonant Frequency (Hz)	2300 ± 300				
Operating Temperature (°C)	-20 ~ 70				
Weight (g)	2				



Dimension

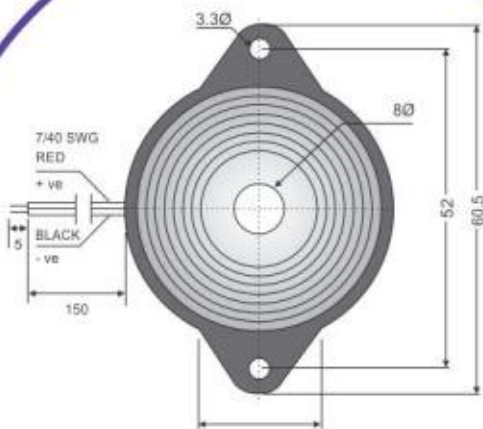
Unit : mm
Tolerance : ±0.3mm

Ringers

Model No.	Sound Level Minimum	Oscillation Frequency	Capacitance	Allowable Input	Weight gms	Type	Mounting	Wire / Lead Length	Height (mm)	Ø In (mm)	Pitch (mm)
R44T1	85 dB	1 to 5.0 ± .5 KHz	70,000 pF ±30 %	30 Vpp Max	11.5	Ringer Screw Fit	Flange Type	150 mm min. 2 wire	14.5	44	52
R44T2	85 dB	1 to 5.0 ± .5 KHz	70,000 pF ±30 %	30 Vpp Max	11	Ringer Screw Fit	Flange Type	120 mm min. 2 wire	9.5	48	--

Operating Temperature Range - 20°C to + 50°C
Storage Temperature Range - 30°C to + 60°C

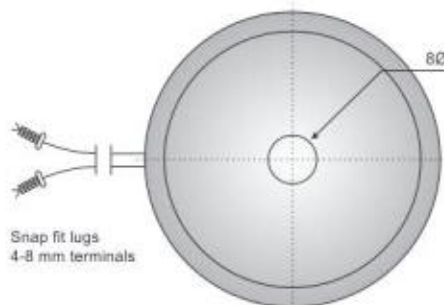
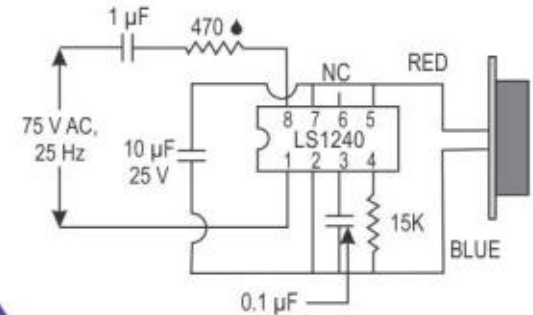
Electrical parameters measurements 12 VDC and at 30 cm. distance or unless and otherwise specified
Tolerance for dimension ±0.1 mm, pin height ±1.0 mm



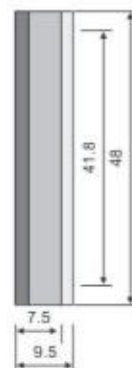
TR44



Recommend Circuit for Ringer R44T / R44S



R44

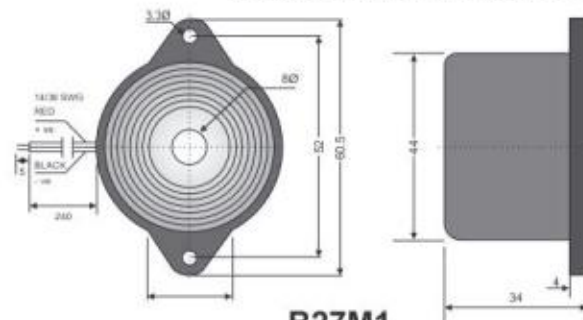


DC Buzzers with Built in Oscillation Circuit

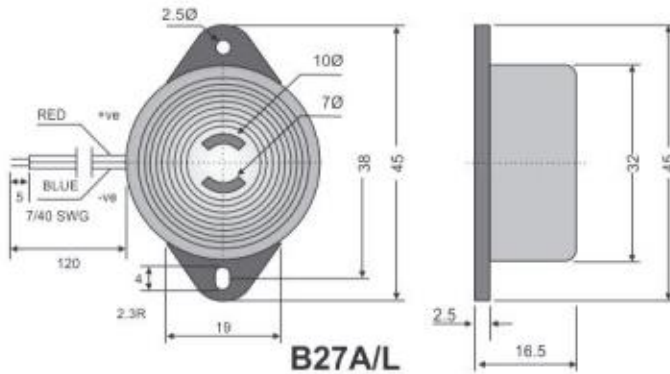
Model No.	Sound Level Minimum	Oscillation Frequency	Current Consumption	Operating Voltage	Weight gms	Tone	Mounting	Wire / Lead Length	Height (mm)	Ø In (mm)	Pitch (mm)
B27	85 dB	4KHz±500 Hz	Maximum 15 mA	1.5 to 27 VDC	10	Continuous with Trigger	Flange Type	120 mm min. 3 wire	16.5	32	38
B27A	85 dB	4KHz±500 Hz	Maximum 15 mA	1.5 to 27 VDC	9	Continuous	Flange Type	120 mm min. 2 wire	16.5	32	38
B27L	95 dB	4KHz±500 Hz	Maximum 20 mA	1.5 to 15 VDC	10	Loud Continuous	Flange Type	120 mm min. 2 wire	16.5	32	38
B27L2	85 dB	4KHz±500 Hz	Maximum 20 mA	1.5 to 15 VDC	10.5	Interrupted 1 to 4 /Sec.	Flange Type	120 mm min. 2 wire	16.5	32	38
B27M1	85 dB	Not Applicable	Maximum 15 mA	5 to 15 VDC	10	Musical	Flange Type	120 mm min. 2 wire	16.5	32	38
B27L1	95 dB	4KHz±500 Hz	Maximum 20 mA	1.5 to 15 VDC	9.5	Loud Continuous	PCB Type	8 mm lead	16.5	32	17.5
B27P	95 dB	4KHz±500 Hz	Maximum 15 mA	1.5 to 15 VDC	9	Continuous	PCB Type	8 mm lead	16.5	32	17.5

Operating Temperature Range - 20°C to + 50°C
Storage Temperature Range - 30°C to + 60°C

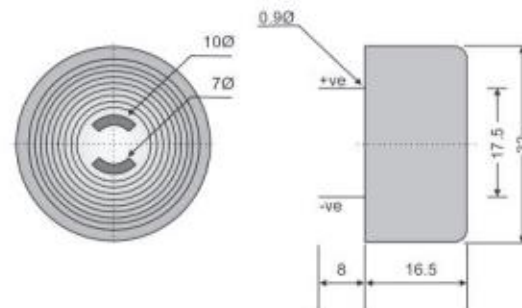
Electrical parameters measurements 12 VDC and at 30 cm. distance or unless and otherwise specified
Tolerance for dimension ±0.1 mm, pin height ±1.0 mm



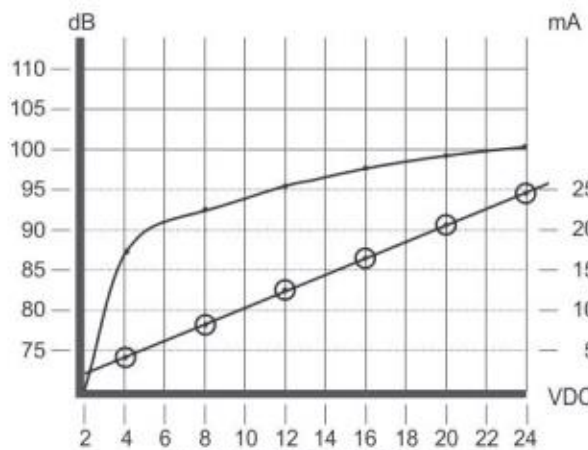
B27M1



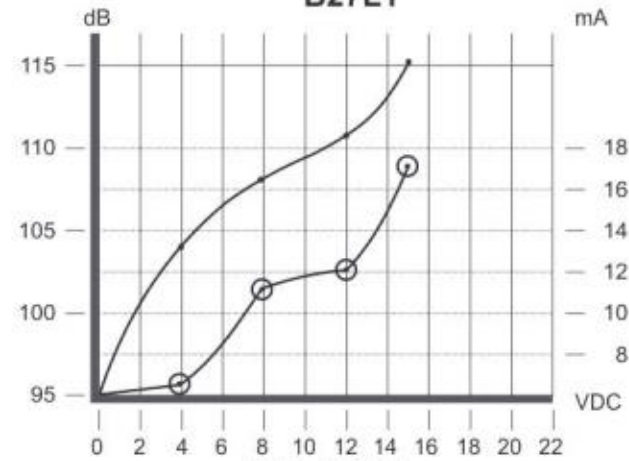
B27A/L



B27L1



B27 / B27A / B27P



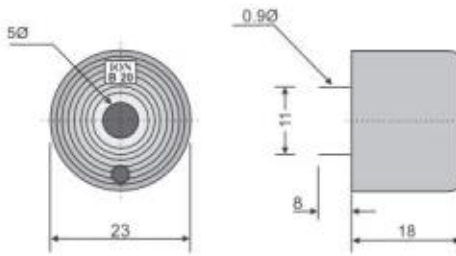
B27L / B27L1

DC Buzzers with Built in Oscillation Circuit

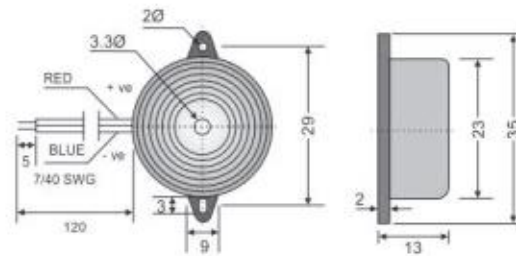
Model No.	Sound Level Minimum	Oscillation Frequency	Current Consumption	Operating Voltage	Weight gms	Tone	Mounting	Wire / Lead Length	Height (mm)	Ø In (mm)	Pitch (mm)
B20	85 dB	4KHz±500 Hz	Maximum 15 mA	1.5 to 27 VDC	5	Continues	PCB Type	8 mm lead	18	23	11
B20C	85 dB	4KHz±500 Hz	Maximum 15 mA	1.5 to 27 VDC	5	Continues	PCB Type	Flexible lead	18	23	11
B20L	95 dB	4KHz±500 Hz	Maximum 20 mA	1.5 to 15 VDC	6	Loud Continues	PCB Type	8 mm lead	18	23	11
B20S	95 dB	4KHz±500 Hz	Maximum 20 mA	1.5 to 15 VDC	6	Loud Continues	PCB Type	8 mm lead	13	23	11
B20L4	95 dB	4KHz±500 Hz	Maximum 20 mA	1.5 to 15 VDC	6	Loud Continues	Flange Type	120 mm lead 2 wire	13	23	29
B44W	Min.95 dB @ 100 cm	Not Applicable	Maximum 500 mA	9 to 15 VDC	42.5	Wobbling	Flange Type	240 mm lead 2 wire	34	44	52
B44M1	85 dB	Not Applicable	Maximum 15 mA	5 to 15 VDC	15	Musical	Flange Type	120 mm lead 2 wire	14.5	44	52

Operating Temperature Range - 20°C to + 50°C
Storage Temperature Range - 30°C to + 60°C

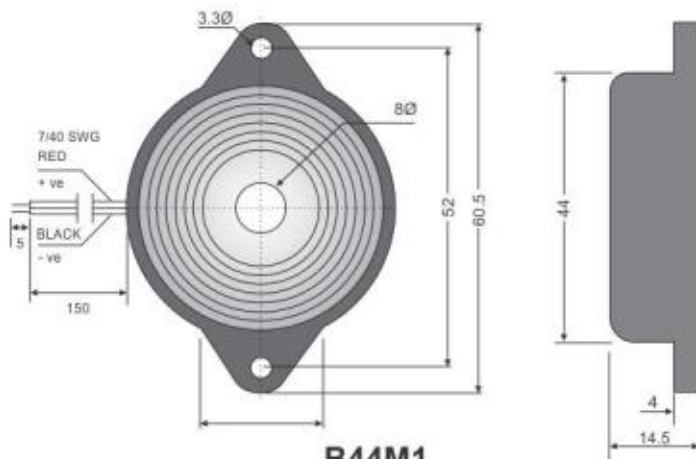
Electrical parameters measurements 12 VDC and at 30 cm. distance or unless and otherwise specified
Tolerance for dimension ±0.1 mm, pin height ±1.0 mm



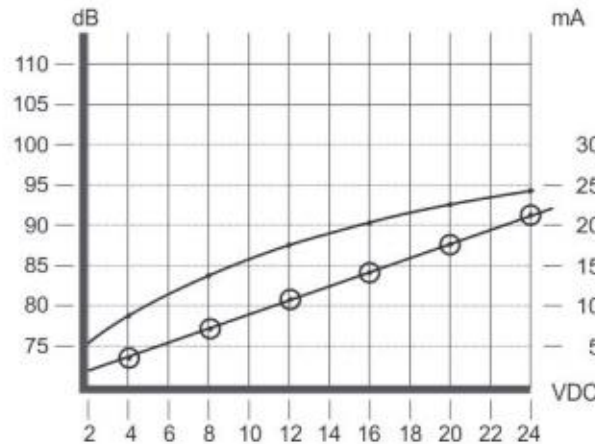
B20



B20L4



B44M1



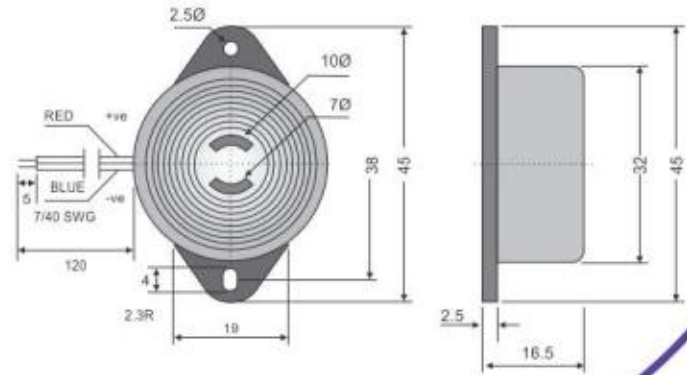
B20 / B20C

Crystal Buzzers

Model No.	Sound Level Minimum	Oscillation Frequency	Current Consumption	Operating Voltage	Weight gms	Tone	Mounting	Wire / Lead Length	Height (mm)	Ø In (mm)	Pitch (mm)
27C	85 dB	4.0±500 Hz	Maximum 15 mA	1.5 to 27 VDC	9	Continuous	Flange Type	120 mm min. 2 wire	16.5	32	38
27C2	85 dB	4.0±500 Hz	Maximum 20 mA	1.5 to 15 VDC	10.5	Interrupted 1 to 4/sec.	Flange Type	120 mm min. 2 wire	16.5	32	38
27CL	95 dB	4.0±500 Hz	Maximum 20 mA	1.5 to 15 VDC	10	Loud Continuous	Flange Type	120 mm min. 2 wire	16.5	32	38

Operating Temperature Range - 20°C to + 50°C
Storage Temperature Range - 30°C to + 60°C

Electrical parameters measurements 12 VDC and at 30 cm. distance or unless and otherwise specified
Tolerance for dimension ±0.1 mm, pin height ±1.0 mm



27C / C2 / CL

Siren

Model No.	Sound Level Minimum	Operating Voltage	Weight gms	Tone	Mounting	Wire / Lead Length	Height (mm)	Ø In (mm)	Output Power
Siren P7	125 dB	6 to 12 VDC	143	Single Tone	Piezo Type	400 mm	85x56x70	56	--
Siren P9	115 dB	6 to 12 VDC	70	Single Tone	Piezo Type	400 mm	40x44x23	35	--
Siren S35	120 dB	6 to 12 VDC or 24 V	335	Single Tone	Electronic Type	410 mm	88x104x108	108	10W/15W 20W/25W



SIREN P7



SIREN P9



SIREN S35



ION ELECTRICALS PVT. LTD.

Shop No. 17 & 18, Pooja Complex, B-Wing, Plot No. 15A & 15B,
Maruti Corner Pooja CHS Ltd., Sector 17, Near Panvel Railway Station,
New Panvel (E), Tal: Panvel, Dist. Raigad 410 206. (Mah.) India.
Telefax : +91-22-2746 9114 / 115 / 117 / 118
e-mail : sales@ionelectricals.com • Website : www.ionelectricals.com



ISO 9001 : 2008
Reg. No.: RQ91/541

MKT / CAT BUZ / REV / 00

Buzzer

ION ELECTRICALS PVT. LTD.