

964B5/5A/7/9

Trouble Shooting:

1. Display shows -1 or 1: Sensor open. Please check sensor.
2. Temp. Decrease while heating: Thermocouple not connected according to polarity. Please change polarity.
3. Does not show proper temp.: Loose connection on terminal or calibration problem.
4. No Display - Mains cord problem. Check 230 Vac between L & N.
5. Display flickers: Check sensor connection, Check earthing/provide proper earthing.



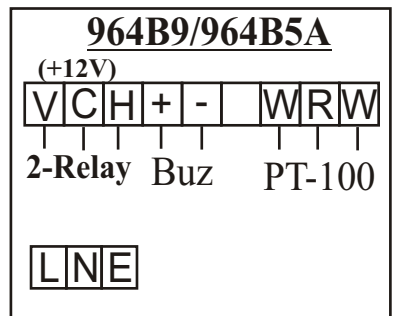
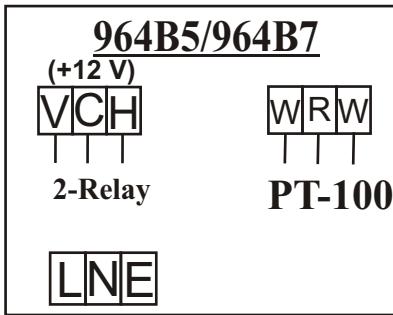
(964B5/B7)



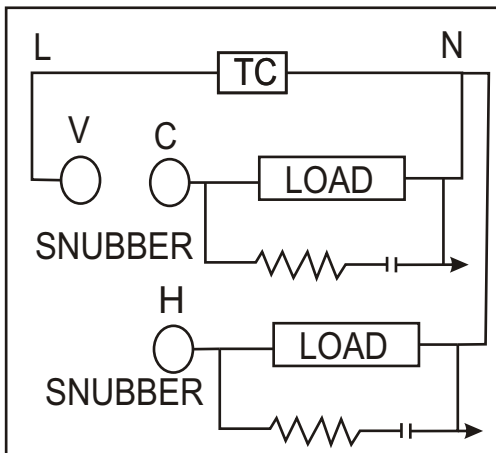
(964B5A/B9)

Features:

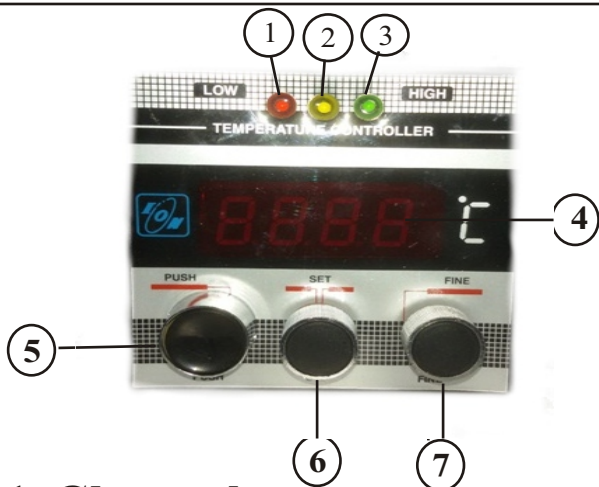
1. ON/OFF control
2. Set point adjustment through multi turn sleek & sturdy pot.
3. Fail-safe activation circuit.
4. Relay out put 5 amp(resistive load) higher rating can be given on request.
5. Relay energies on fall in temp.
6. Flush panel mounting in 96*96 mm
7. Built in spike suppressors for protection from transient.
8. LED indication for relay ON status.
9. Fix delay for 964B5/B5A/B7/B9 i.e. 180 sec.



Typical connection for load

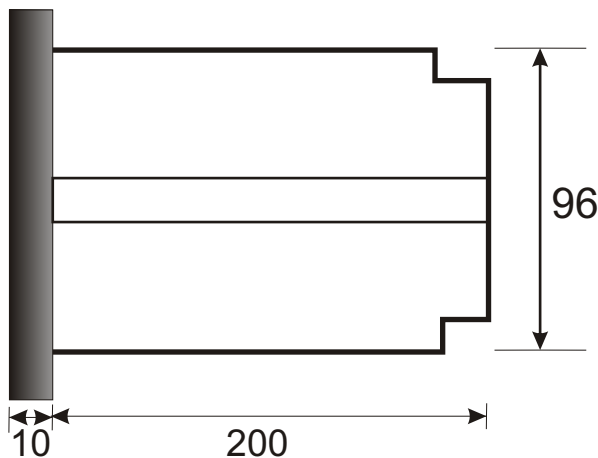


If load is greater than 1 Amp connect snubber across load.



1. Glows when temperature goes low.
2. Glows for Alarm .
3. Glows when temperature goes high.
4. Temperature display in degree celcius.
5. Press micro switch to see set temperature.
- 6 & 7. Pot for setting temp.

SIDE VIEW



Specifications:

Control Accuracy: +/- 1% LSD
(Least significant digit)

Display: 3 1/2 digit, 0.5" 7 segment RED LED

Accuracy: 1% of the span

Operating Voltage: 230 AC+/-15%
50Hz

Size(in mm): 96(H)*96(W)*200(D)

Cutout: 92(H)*92(W)

Weight: 1.5kg

Mounting: Panel Mounting

Power consumption: 10 VA max

Operating temp.: 0 C to 50 C

Storage temp.: -10 C to 60 C

Connection: 10Amp terminal block for power supply & sensor connection

Relay: one relay of 5 Amp (resistive load) each.

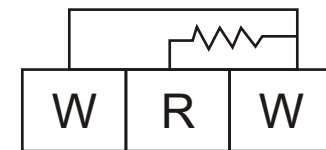
Model	Input sensor	Range	Resolution
964B5/ 964B7	RTD	0.0-65.0	0.1deg C
964B9/ 964B5A	RTD	0.0-65.0	0.1deg C

Operating Instructions:

1. Connect wire as per connection diagram
2. Temperature setting:
For 964B5/5A/7/9: display will indicate set value when the push button is pressed the set screw knob can be rotated till the desired temp.Value is displayed. The set value increments with clockwise rotation & decrement with anti-clockwise rotation in normal condition display shows actual temperature.

Connection Diagram:

1. For Pt-100 sensor 2/3 wire



For two wire RTD shot W & W with small wire connect RTD between R & W

ALARM:

964B9: High & Low 2 deg C

964B5A: High & Low 1deg C