

# 962H12

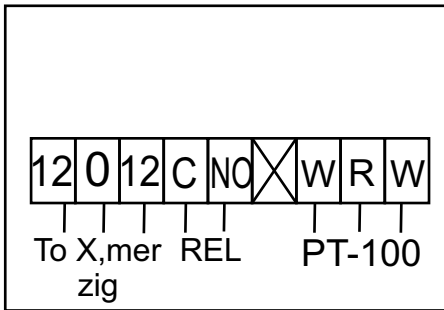
## Trouble Shooting:

1. Display shows -1 or 1: Sensor open. Please check sensor.
2. Temp. Decrease while heating: Thermocouple not connected according to polarity. Please change polarity.
3. Does not show proper temp.: Loose connection on terminal or calibration problem.
4. No Display - Mains cord problem. Check 230 Vac between L & N.
5. Display flickers: Check sensor connection, Check earthing/provide proper earthing.



## Features:

1. ON/OFF control
2. Set point adjustment through multi turn sleek & sturdy pot.
3. Fail-safe activation circuit.
4. Relay out put 5 amp(resistive load) higher rating can be given on request.
5. Relay energies on fall in temp.
6. Flush panel mounting in 48\*96 mm
7. Built in spike suppressors for protection from transient.
8. LED indication for relay ON status.

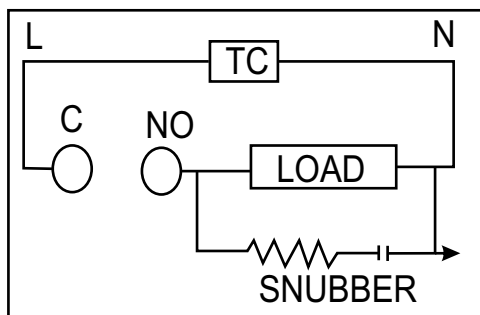


## Terminal connections:

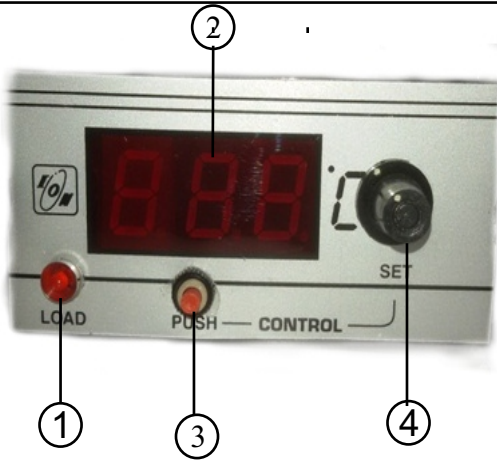
**C - Common**

**NO - Normally open**

## Typical connection for load

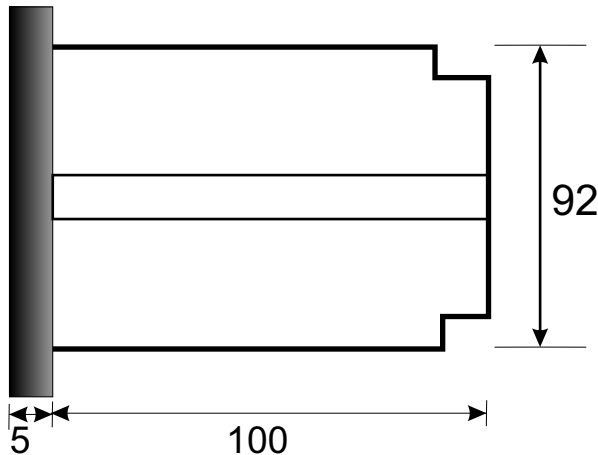


**If load is greater than 1 Amp connect snubber across load.**



1. Glows when heater is On.
2. Temperature display in degree celcius.
3. Press push switch to see set temperature.
4. Pot for setting temp.

**SIDE VIEW**



**Specifications:**

**Control Accuracy:** +/- 1% LSD  
(Least significant digit)

**Display:** 3 1/2 digit, 0.5" 7 segment  
RED LED

**Accuracy:** 1% of the span

**Operating Voltage:** 230 AC +/- 15%  
50Hz

**Size(in mm):** 48\*96\*100

**Cut Out:** 92\*44

**Weight:** 0.5 kg

**Mounting:** Panel Mounting

**Power consumption:** 10 VA max

**Ambient temp.:** 0 C to 50 C

**Storage temp.:** -10 C to 50 C

**Connection:** 10Amp terminal block  
for power supply & sensor  
connection

**Relay:** SSR Output 12Volt.

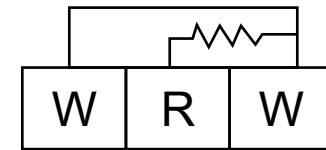
Model	Input sensor	Range	Resol- tion
962H12	RTD	0 to 199	1deg C

**Operating Instructions:**

1. Connect wire as per connection diagram
2. Temperature setting:  
For **962H12**: display will indicate set value when the push button is pressed the set screw knob can be rotated till the desired temp. Value is displayed. The set value increments with clockwise rotation & decrement with anti-clockwise rotation in normal condition display shows actual temperature.

**Connection Diagram:**

1. For Pt-100 sensor 2/3 wire



For two wire RTD shot W & W with small wire connect RTD between R & W